

AL UWL402 SM



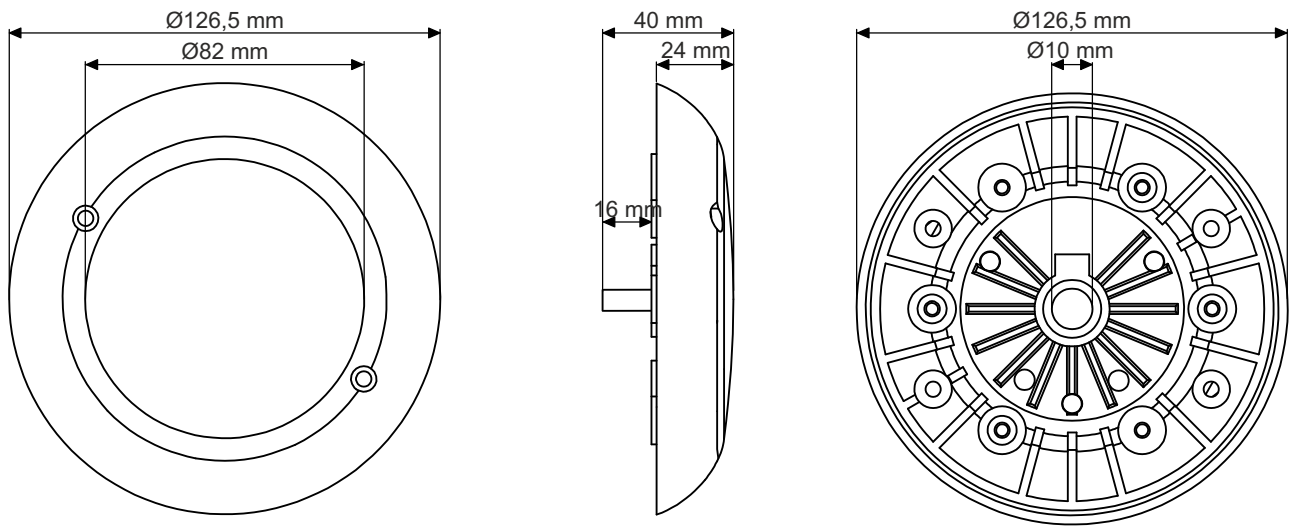
BOAT SIZE : 7-25 mt. / 25-80 ft.

- Salt resistant Thermal Resin body
- Impact resistant special glass
- High-Tech SMD LED with high wattage.
- Has light power of 100-110 lumens per watt
- RGB full colour LED
- 2x0,75 mm<sup>2</sup> Neopren RNF Cable
- Body assembly is practical. 10 mm cable hole is drilled on the surface of the hull and the surface of the boat is mounted underwater.



**PATENTED**

Product Specifications



Product Code	AL UWL402 SM - 15W	AL UWL402 SM - 25W
Boat Dimensions mt./ft.	7mt. - 25mt. / 25ft. - 80ft.	
Single Colour LED	30 Pcs 5730 High Power LED	48 Pcs 5730 High Power LED
RGBW LED	42 Pcs 5730 High Power LED	
LED Degree	110°	
Volt	24VDC - 12VDC	
Current 24V / 12V	0.63A / 1.25A	1,05A / 2.10A
Watt	Single Colour 15W. - RGBW 9W.	Single Colour 25W.
LED Colour / Lumen	White 1500 lumen , Blue 800 lumen	White 2500 lumen , Blue 1300 lumen
IP Code	IP68 CLASS III	
Body Material	Therma Resin Body	
Glass	Impact resistant special glass	
Product Cable	Single Colour 2 mt. 2x0,75 RNF Marine Cable, RGB 2 mt, 4x0,50 RNF Marine Cable	
Product Sizes	Light Head Diameter: 126,5mm. , Head height: 24mm. , Full Length: 40mm.	
Hole Diameter	10 mm.	
Weight	255 gr.	

U.V. IP68 CLASS III

Do not use in waterless environment.